

Please Fax to  
+49 - 52 22 – 94 63 31  
or send by post to

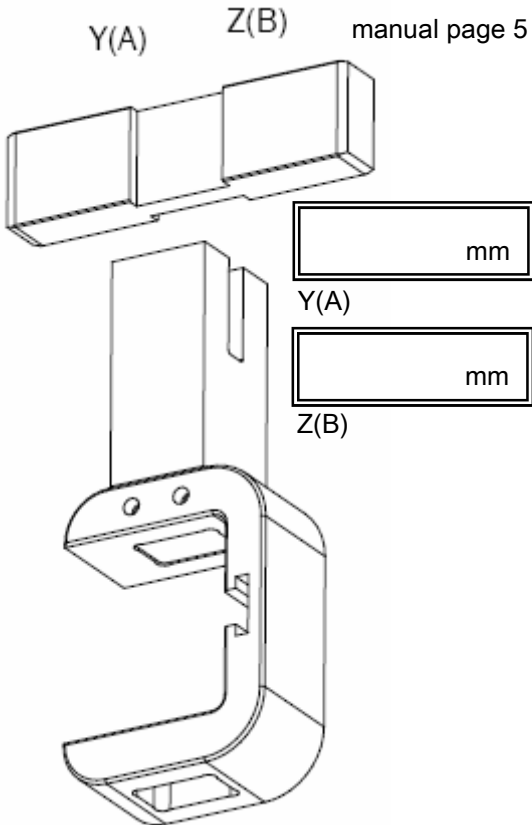
T/Mould Solution GmbH & Co. KG  
Im Wellenbügel 3  
32108 Bad Salzuflen  
Germany

## Order CLS 2-2

Herewith we order

one CLS 2-2 system.

For the measurements  
please see assembly  
manual page 5



Date

Company

Contact person

Offer date (if applic.)

Offer number (if applic.)

Price in Euro  
(ex factory, excl. VAT)

Your VAT-ID

Tool name

Preferred week of delivery

Your customer (if applicable)

Signature